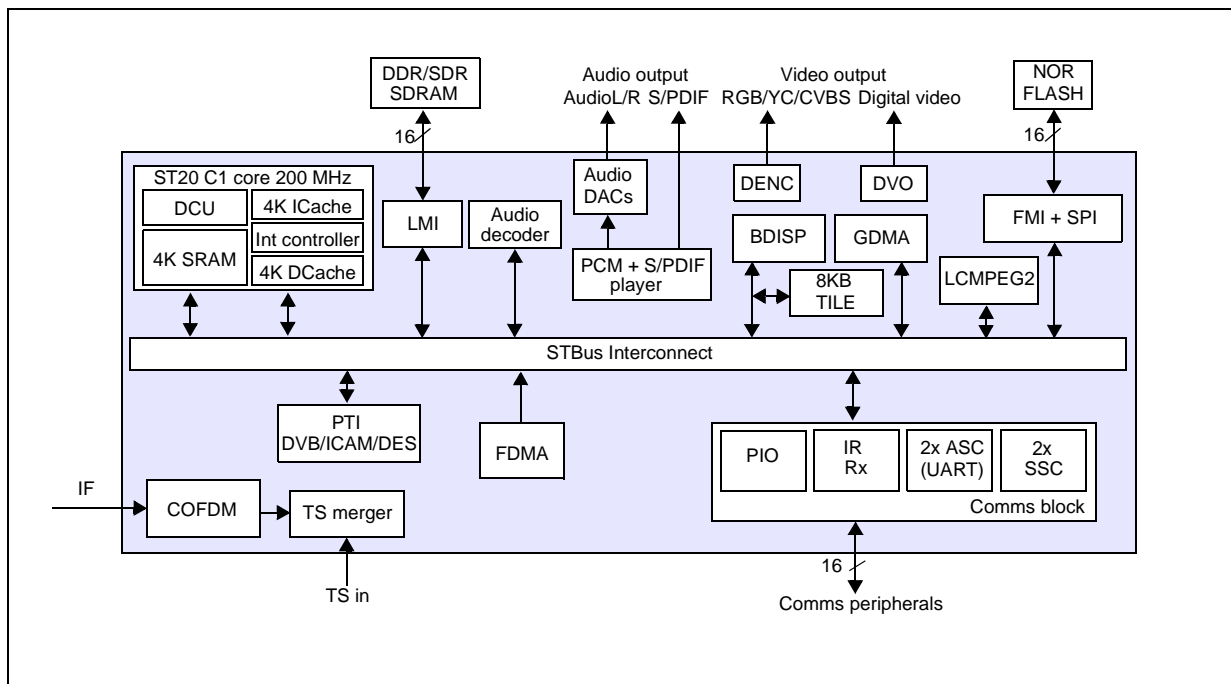


Low-cost interactive set-top box decoder

Data Brief

Features

- Enhanced ST20 32-bit VL-RISC CPU
 - Unified memory interface
 - up to 133 MHz, 16-bit wide SDR SDRAM,
 - up to 166 MHz, 16-bit wide DDR SDRAM
- Programmable Flash memory interface
- Demodulator compatible with I and Q or IF inputs for tuner interface
- Channel management
- Digital carrier, timing & symbol recovery loops
- Decoding
 - QPSK - 16 QAM - 64 QAM constellations
- MPEG-2 MP@ML video decoder
- Graphics and display
 - 3 display planes
 - 2D paced blitter engine with fill function
- Programmable transport interface (PTI)
 - single transport stream input for DVB
- Central DMA controller
- PAL/NTSC/SECAM encoder
 - RGB, CVBS, Y/C and YUV outputs with four 10-bit DAC outputs.
- Audio subsystem
 - simultaneous MPEG audio decode and output of Dolby streams on S/PDIF
 - IEC958/IEC1937 digital audio output interface
 - integrated stereo audio DAC
- On-chip peripherals
 - ASC (UART) with Tx and Rx FIFOs
 - 3 banks of 8-bit programmable I/O
 - integrated VCXO
- JTAG/TAP interface
- Package
 - 15 mm x 15mm PBGA240 0.8 mm pitch.



1 Description

1.1 General

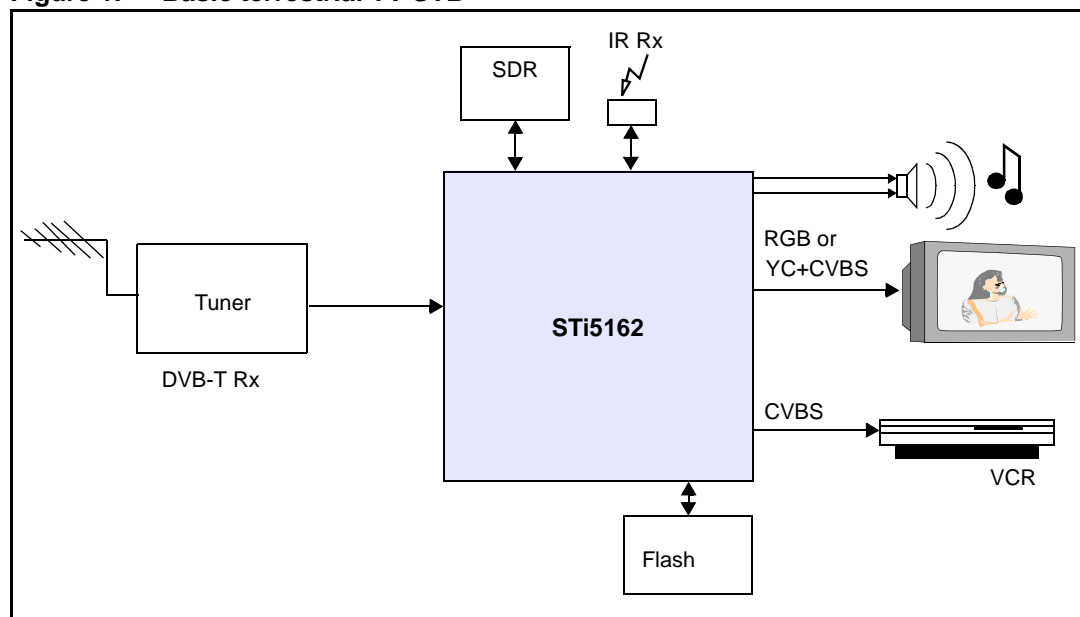
The STi5162 is the latest in the family of STBus set-top box ICs providing high-performance, low-cost system-on-chip (SoC) for MPEG processing in digital terrestrial STBs. It is derived from the STi5107, with the addition of a DVB-T COFDM demodulator and supports multiple platforms using a unified architecture.

The STi5162 delivers enhanced performance with respect to previous devices. Main memory is based upon a single 16-bit external SDR SDRAM or DDR DRAM.

The display architecture of the devices is based upon a high performance blitter engine that supports CLUT8 and RGB16 formats for background, video and OSD/graphics displays. It makes the porting of middleware easier with improved rendering.

1.2 Applications

Figure 1. Basic terrestrial TV STB



The STi5162 is designed for low-cost basic STB applications.

Its BGA package allows the use of a simple 2-layer PCB, with all signals and power supplies being routed through the top PCB layer. This leaves the bottom PCB layer dedicated to the ground plane and JTAG connections.

The STi5162 provides the following features:

- SDR and DDR SDRAM memory interface
- Digital video output port (exclusive with parallel Flash)
- serial Flash interface for program storage
- serial TS input port
- two ASCs (UARTs)

1.3 Main features

- Enhanced ST20 32-bit VL-RISC CPU
 - 200-MHz, single cycle cache/4-Kbyte instruction cache, 4-Kbyte data cache, 4-Kbyte SRAM
- Local memory interface
 - up to 133 MHz, 16-bit wide SDR SDRAM,
 - up to 166 MHz, 16-bit wide DDR SDRAM
- Programmable Flash memory interface
 - 3 separately configurable banks, 8/16-bits wide
 - SRAM, peripheral, Flash, SFlash™ support
- Demodulator compatible with I and Q or IF inputs for tuner interface
 - wide range carrier tracking loop for offset recovery
 - dual analog to digital conversion
 - signal strength indicator dedicated ADC
 - dual $\Sigma\Delta$ digital split AGC for RF and BB
- Channel management
 - NorDig Unified Specification (v1.0.2) capable
 - dynamic fading compatible
 - channel reception quality indicator
 - out of guard interval echo synchronization
 - impulsive noise rejection capable
 - flexible fully-integrated digital channel filter with outstanding adjacent channel rejection capability
- Digital carrier, timing & symbol recovery loops
- Decoding
 - 2 K, 4 K, 8 K FFT length
 - 5, 6, 7 and 8 MHz channel bandwidth
 - 1/4, 1/8, 1/16, 1/32 guard interval length
 - QPSK - 16 QAM - 64 QAM constellations
 - hierarchical capability
 - Viterbi soft decoder rate 1/2
 - supports puncture rates 1/2, 2/3, 3/4, 5/6, 7/8
 - Reed-Solomon decoder
 - energy dispersal descrambler
- Programmable transport interface (PTI)
 - single transport stream input
 - support for DVB transport streams
 - integrated DVB, ICAM descramblers
- MPEG-2 MP@ML video decoder
 - fully programmable horizontal and vertical SRCs
- Graphics and display
 - 3 display planes

- 8 bpp CLUT graphics, 256 x 30 bits (AYCbCr) CLUT entries. 16 bpp true color graphics, RGB565, ARGB1555, ARGB4444 formats. Link-list control
- alpha blending, antialiasing, antialiasing, antiflicker filters
- 2D paced blitter engine with fill function
- blitter based display compositor
- PAL/NTSC/SECAM encoder
 - RGB, CVBS, Y/C and YUV outputs with four 10-bit DAC outputs. RGB/CVBS or YUV/CVBS or YC/CVBS
 - encoding of CGMS closed caption, Teletext, WSS and VPS
- Audio subsystem
 - MPEG-1 layers I/II
 - simultaneous MPEG audio decode and output of Dolby streams on S/PDIF
 - IEC958/IEC1937 digital audio output interface
 - integrated stereo audio DACs
- Central DMA controller
- On-chip peripherals
 - ASC (UART) with Tx and Rx FIFOs
 - 3 banks of 8-bit programmable I/O
 - SPI for serial Flash support
 - 2 SSCs for I²C/SPI master/slave interfaces
 - infrared receiver
 - integrated VCXO
 - low-power / RTC / watchdog controller
 - flexible clock generation to operate with 4 MHz or 27 MHz external reference
- JTAG/TAP interface
- Package
 - 15mm x 15mm PBGA240 0.8 mm pitch

2 Ordering information

Table 1. Ordering information

Order code	Packaging
STi5162ABB	PBGA240 15 mm x 15 mm

3 Revision history

Table 2. Document revision history

Date	Revision	Changes
09-March-2009	1	Initial release
01-Apr-2009	2	Memory interface values updated.
10-Apr-2009	3	Memory interface (SDR SDRAM) new update.

Please Read Carefully:

Information in this document is provided solely in connection with ST products. STMicroelectronics NV and its subsidiaries ("ST") reserve the right to make changes, corrections, modifications or improvements, to this document, and the products and services described herein at any time, without notice.

All ST products are sold pursuant to ST's terms and conditions of sale.

Purchasers are solely responsible for the choice, selection and use of the ST products and services described herein, and ST assumes no liability whatsoever relating to the choice, selection or use of the ST products and services described herein.

No license, express or implied, by estoppel or otherwise, to any intellectual property rights is granted under this document. If any part of this document refers to any third party products or services it shall not be deemed a license grant by ST for the use of such third party products or services, or any intellectual property contained therein or considered as a warranty covering the use in any manner whatsoever of such third party products or services or any intellectual property contained therein.

UNLESS OTHERWISE SET FORTH IN ST'S TERMS AND CONDITIONS OF SALE ST DISCLAIMS ANY EXPRESS OR IMPLIED WARRANTY WITH RESPECT TO THE USE AND/OR SALE OF ST PRODUCTS INCLUDING WITHOUT LIMITATION IMPLIED WARRANTIES OF MERCHANTABILITY, FITNESS FOR A PARTICULAR PURPOSE (AND THEIR EQUIVALENTS UNDER THE LAWS OF ANY JURISDICTION), OR INFRINGEMENT OF ANY PATENT, COPYRIGHT OR OTHER INTELLECTUAL PROPERTY RIGHT.

UNLESS EXPRESSLY APPROVED IN WRITING BY AN AUTHORIZED ST REPRESENTATIVE, ST PRODUCTS ARE NOT RECOMMENDED, AUTHORIZED OR WARRANTED FOR USE IN MILITARY, AIR CRAFT, SPACE, LIFE SAVING, OR LIFE SUSTAINING APPLICATIONS, NOR IN PRODUCTS OR SYSTEMS WHERE FAILURE OR MALFUNCTION MAY RESULT IN PERSONAL INJURY, DEATH, OR SEVERE PROPERTY OR ENVIRONMENTAL DAMAGE. ST PRODUCTS WHICH ARE NOT SPECIFIED AS "AUTOMOTIVE GRADE" MAY ONLY BE USED IN AUTOMOTIVE APPLICATIONS AT USER'S OWN RISK.

Resale of ST products with provisions different from the statements and/or technical features set forth in this document shall immediately void any warranty granted by ST for the ST product or service described herein and shall not create or extend in any manner whatsoever, any liability of ST.

ST and the ST logo are trademarks or registered trademarks of ST in various countries.

Information in this document supersedes and replaces all information previously supplied.

The ST logo is a registered trademark of STMicroelectronics. All other names are the property of their respective owners.

© 2009 STMicroelectronics - All rights reserved

STMicroelectronics group of companies

Australia - Belgium - Brazil - Canada - China - Czech Republic - Finland - France - Germany - Hong Kong - India - Israel - Italy - Japan - Malaysia - Malta - Morocco - Singapore - Spain - Sweden - Switzerland - United Kingdom - United States of America

www.st.com

