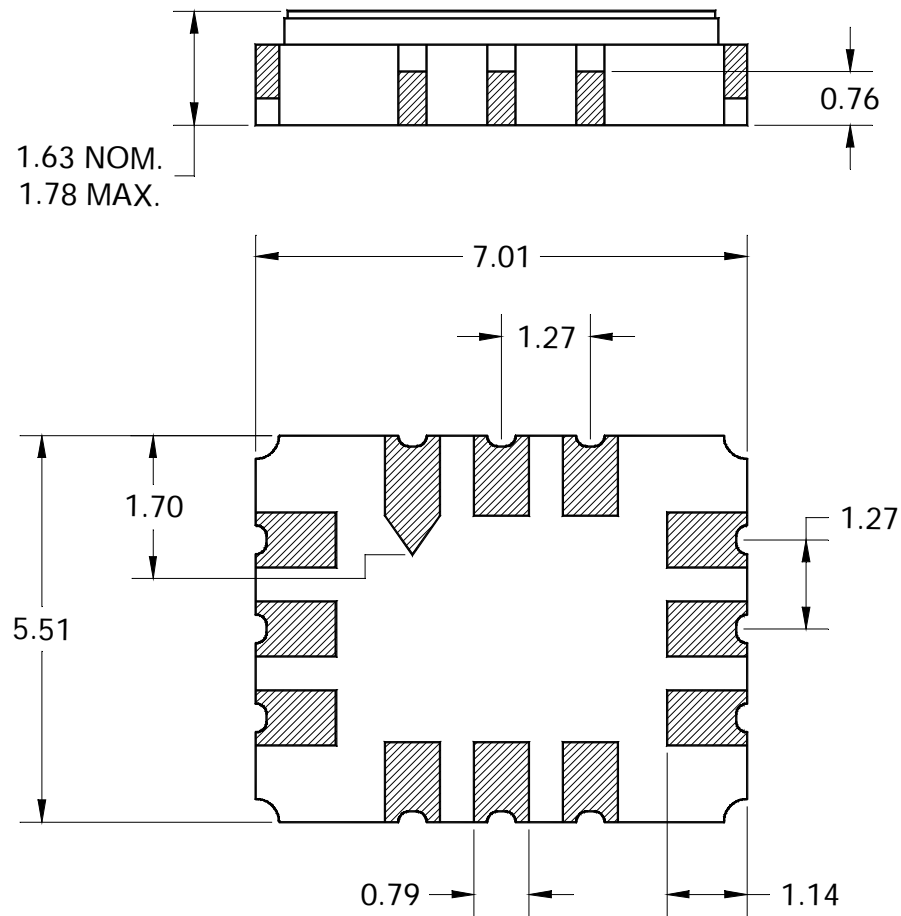


7.01 x 5.51mm Surface Mount Package *SMP-28B*



Dimensions shown are nominal in millimeters
All tolerances are ± 0.15 mm except overall dimension 7.01 ± 0.13 mm by 5.51 ± 0.13 mm

Body: Al_2O_3 ceramic

Lid: Kovar, Ni plated

Terminations: Au plating 0.5 – 1.0 μ m, over a 2 – 6 μ m Ni plating

www.BDITC.com/TriQuint/