

4

3

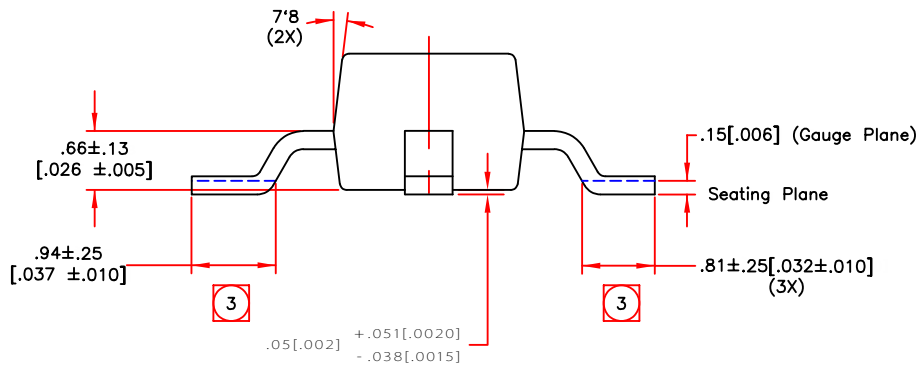
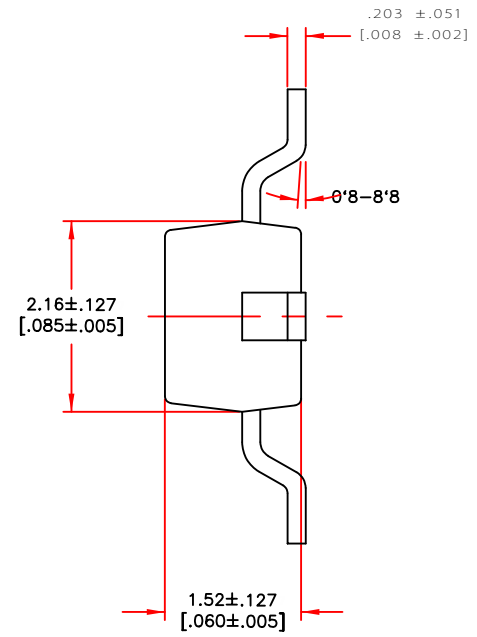
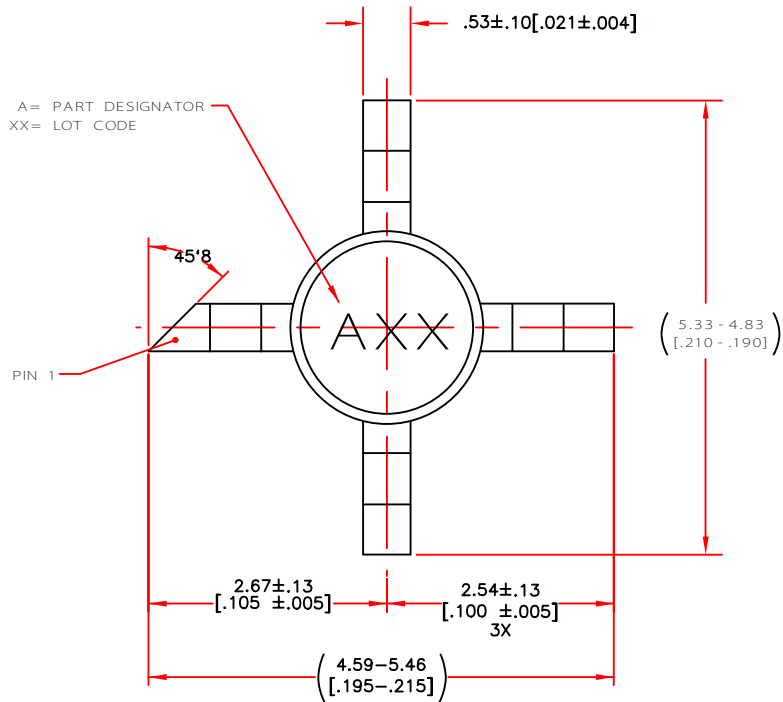
2

1

NOTES:

- 1. UNIT WEIGHT .XXX OUNCES MAX.
- 2. DIMENSIONS ARE IN MILLIMETERS [INCHES].
- 3. FOOT LENGTH MEASUREMENT IS BASED ON THE GAUGE PLANE METHOD.
- 4. TOLERANCE .XXX ± .381[.015]
.XX ± .51[.02]

REVISION				
REV	DESCRIPTION	ECO	DATE	BY/APPD



WJ COMMUNICATIONS PROPRIETARY INFORMATION

INTERFACE CONTROL DRAWING

www.BDTIC.com/TriQuint/

DR G. MARLEY	02-08-21	COMMUNICATIONS, INC. PALO ALTO, CALIFORNIA	ICD, SOT - 86 (MICRO X)	SIZE	CAGE CODE	REV
CHK	02-08-21			C	14482	1
ENG J. TOBIAS	02-08-21			SCALE	1/1	N/O NG
MFG A. MANZI	02-08-21			SHEET 1 OF 1		