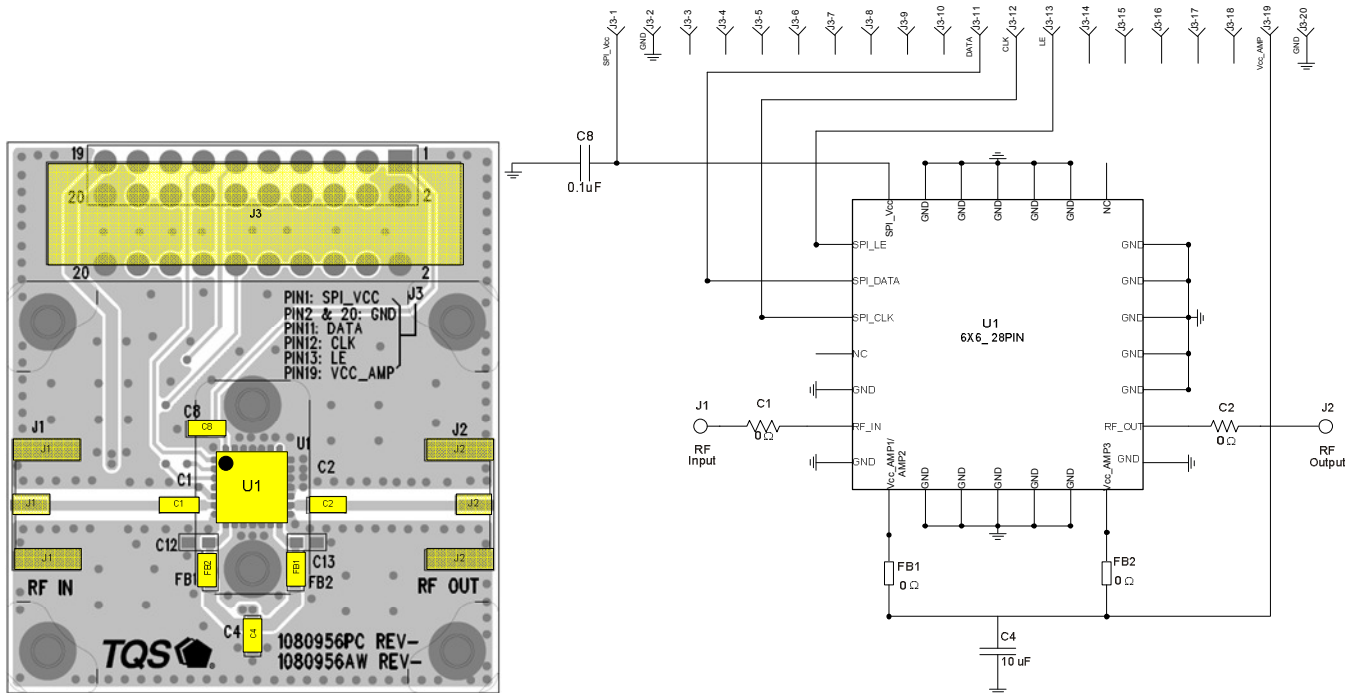


TQM879008

2.3-2.7GHz 1/2 W Digital Variable Gain Amplifier



Application Circuit (TQM879008-PCB)



Notes:

1. For PCB Board Layout, see page 9 for more information.
2. All Components are of 0603 size unless stated otherwise.
3. For SPI Timing Diagram, see page 6.
4. 0 Ω jumpers may be replaced with copper traces in the target application layout.
5. Different ground pins are used for SPI (digital) and analog supply voltages.
6. The primary RF microstrip characteristic line impedance is 50 Ω.
7. The single power supply is used to provide supply voltage to AMP1, AMP2 and AMP3.

Bill of Material: TQM879008-PCB

Reference Desg.	Value	Description	Manufacturer	Part Number
U1		2.3 – 2.7 GHz DVGA	TriQuint	TQM879008
C8	0.1 uF	Cap, Chip, 0603, 16V, X7R, 10%	various	
C4	10 uF	Cap, Chip, 0603, 6.3V, X5R, 20%	various	
C1, C2, FB1, FB2	0 Ω	Res, Chip, 0603, 1/16W, 5%	various	