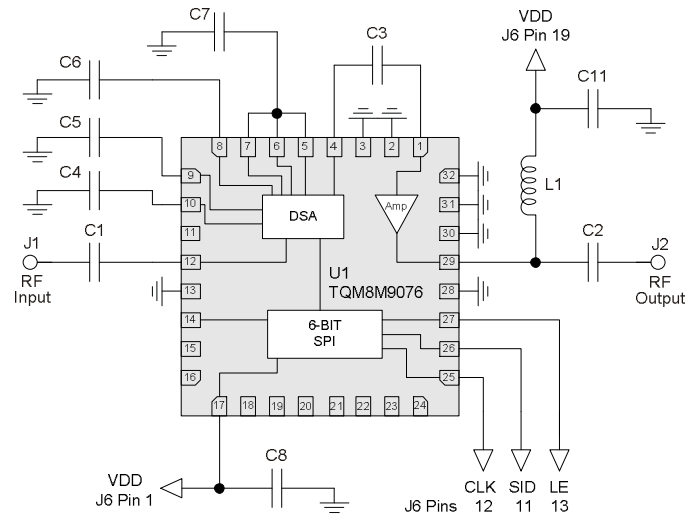
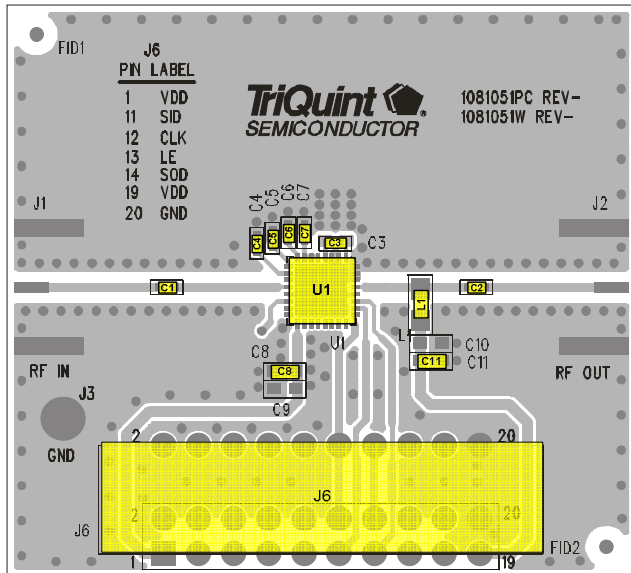


TQM8M9076

0.05-4 GHz Digital Variable Gain Amplifier

Reference Design



Notes:

1. See PC Board Layout on page 7 for more information.
2. C4, C5, C6 and C7 may be removed for operation above 700 MHz.

Bill of Material

Ref Des	Value	Description	Manufacturer	Part Number
U1	n/a	Digital Variable Gain Amp	TriQuint	TQM8M9076
L1	68 nH	Inductor, 0603	various	
C1, C2, C3	68 pF	Capacitor, 0402	various	
C4, C5, C6, C7	330 pF	Capacitor, 0402	various	
C8	1000 pF	Capacitor, 0603	various	
C11	0.01 uF	Capacitor, 0603	various	