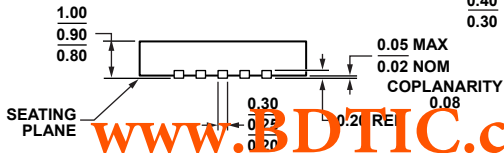
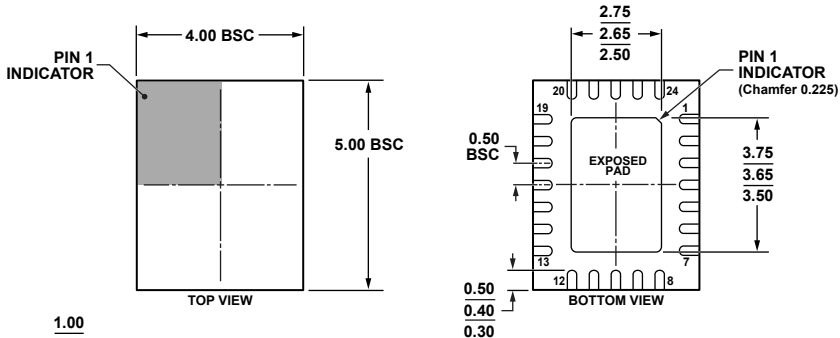


**24-Lead Lead Frame Chip Scale Package [LFCSP_VQ]
4 x 5 mm Body, Very Thin Quad
(CP-24-5)**

Dimensions shown in millimeters



www.BDTIC.com/ADI