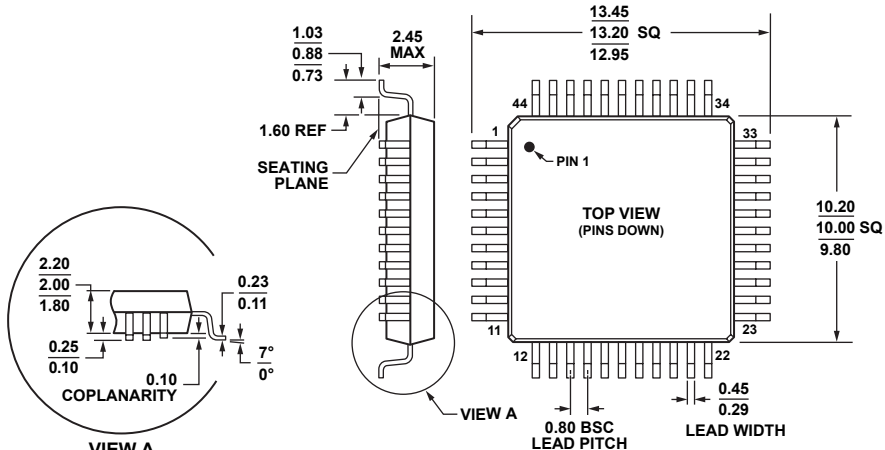


**44-Lead Metric Quad Flat Package [MQFP]
(S-44-1)**

Dimensions shown in millimeters



www.BDTIC.com/ADI

COMPLIANT TO JEDEC STANDARDS MS-022-AB-1