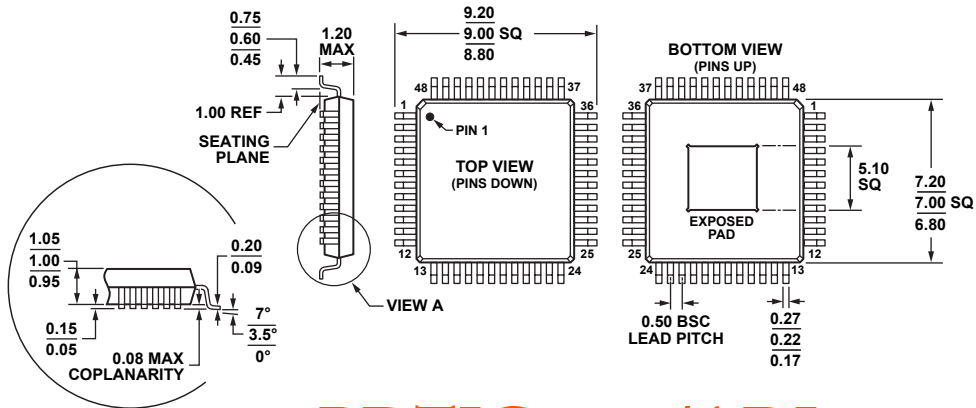


**48-Lead Thin Quad Flat Package, Exposed Pad [TQFP_EP]
(SV-48-5)**

Dimensions shown in millimeters



www.BDTIC.com/ADI

COMPLIANT TO JEDEC STANDARDS MS-026-ABC