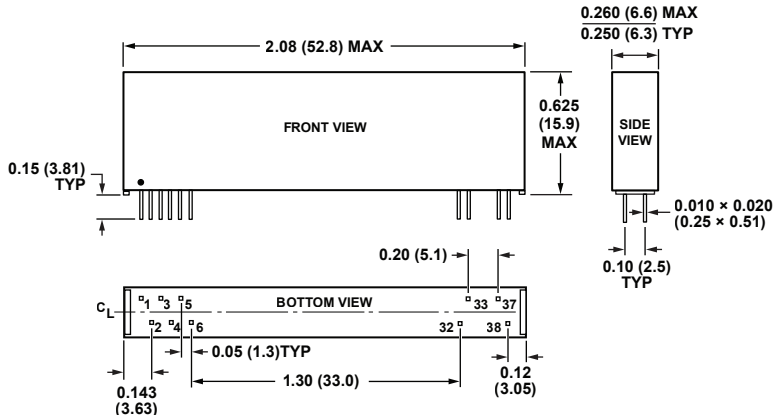


AD204 SIP Package

(Y-10)

[10-lead count with 38-lead spacing]

Dimensions shown in inches and (millimeters)



www.BDTIC.com/ADI

CONTROLLING DIMENSIONS ARE IN INCHES; MILLIMETER DIMENSIONS (IN PARENTHESES) ARE ROUNDED-OFF INCH EQUIVALENTS FOR REFERENCE ONLY AND ARE NOT APPROPRIATE FOR USE IN DESIGN.